



File Name: Canon product manual download.pdf

Size: 3716 KB

Type: PDF, ePub, eBook

Category: Book


Uploaded: 8 May 2019, 21:20 PM

Rating: 4.6/5 from 772 votes.

Download Now!

Please check the box below to proceed.

I'm not a robot



reCAPTCHA
Privacy - Terms

Book Descriptions:

Canon product manual download

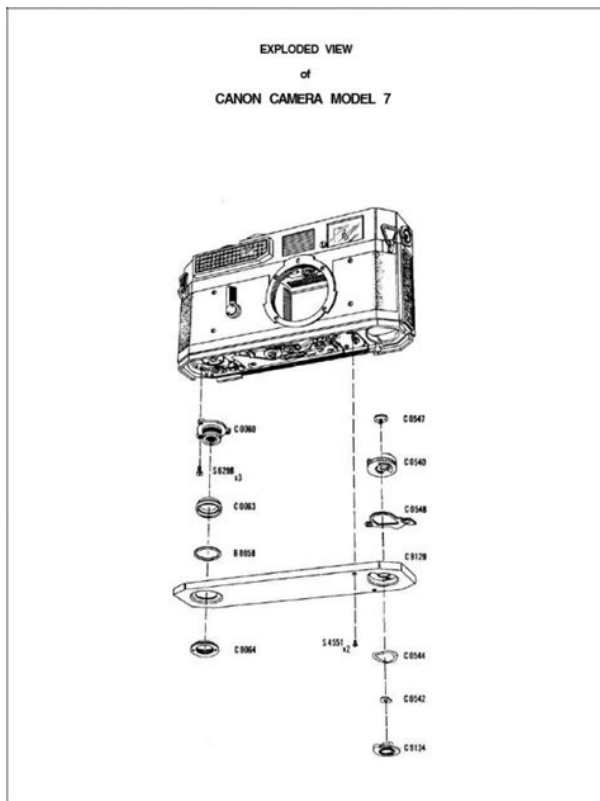


This page requires Javascript. Modify your browsers settings to allow Javascript to execute. See your browsers documentation for specific instructions. Already have an account Sign In. You may download and use the Content solely for your personal, noncommercial use and at your own risks. Canon shall not be held liable for any damages whatsoever in connection with the Content, including, without limitation, indirect, consequential, exemplary or incidental damages. You shall also not and shall not let others reproduce, modify, reformat or create derivative works from the Content, in whole or in part. You may download and use the Content solely for your personal, noncommercial use and at your own risks. Canon shall not be held liable for any damages whatsoever in connection with the Content, including, without limitation, indirect, consequential, exemplary or incidental damages. You shall also not and shall not let others reproduce, modify, reformat or create derivative works from the Content, in whole or in part. Only took 4 days ! New HostGator website hence the gator icon Any online donations always went to PayPal and their secure site will come up. Cosina, Yashica, At least once a week I get a Email stating I can make money by adding Pentax, Nikon, Canon, Chinon, Ricoh, Sears, Kodak, Cosina, Fujica. Miranda, Ansco, Agfa, Konica and other film cameras, flashes, winders, data backs, manuals and all the images from these instruction manuals. This library of information is only here for your information. If no link appears, I have yet If I can locate the manual and I have Any links outside of my site are noted. Use the icon on the specific manual page or go to the PayPal Verified link This will allow me to buy new manuals, and pay to host this AD FREE site. Address accurate as of Jan, 2020 I do not take phone calls. Heres a list of non US sites that found my site

useful. <http://sunn-tech.com/mmag/library/upload/products/file/16011012961257306433.xml>

- **canon product manual download, canon product manual download free, canon product manual downloads, canon product manual download windows 7, canon**

product manual download windows 10.



The Ultracompact Canon EOS 250D DSLR equipped with a 24 MP APSC CMOS sensor, which combines with the DIGIC 8 Image Processor creates sharp, vivid images and high sensitivity up to ISO 25600. The 9point AF system provides quick and accurate focusing in difficult lighting condition. The Dual Pixel CMOS AF with Eye Auto Focus in Live View shooting mode offers smooth and fast focusing. Leave a Comment Cancel reply Save my name, email, and website in this browser for the next time I comment. This Agreement constitutes the complete and exclusive agreement, oral or written, between you and Nikon. We may be unable to respond to inquiries from individuals who have not purchased our products. Please note that the manual and the contact information therein are subject to change without notice. You must reproduce on each copy the Nikon copyright notice and any other proprietary legends that were on the original. In the event a dispute arises under or in connection with this Agreement, you hereby consent to personal jurisdiction of Japan and waive any objection that such forum is inconvenient. You further consent to service of process in any action arising from this Agreement by regular mail or other commercially reasonable means of receipted delivery. If any provision of the Agreement shall be determined invalid for any reason, the remaining provisions shall not be invalidated and shall remain in full force and effect. This Agreement sets forth the entire agreement and understanding between you and Nikon, and supersedes and replaces any other agreements relating to the subject matter of this Agreement.<http://hrampetraipavlovosstanovlenie.ru/content/images/user/duramax-diesel-with-manual-transmission.xml>



imageRUNNER ADVANCE
C3330/C3325/C3320 Series
Service Manual Rev. 3.0

Product Overview	1
Technical Explanation	2
Periodical Service	3
Disassembly/Assembly	4
Adjustment	5
Troubleshooting	6
Error/Jam/Alarm	7
Service Mode	8
Installation	9



Appendix

Application

This manual has been developed by Canon Inc. for qualified persons to carry out installation, maintenance, and repair operations. This manual covers all models within the product line with the exception of the models. There may be variations in the manual between our sites.

Conventions

This manual contains technical illustrations or photographs that may differ from the actual appearance of the product. These changes occur as a result of product development. Canon reserves the right to change the contents of this manual without notice.

The following paragraphs does not apply to any countries where such provision are prohibited by local law.

Trademarks
The product names and company names used in this manual are registered trademarks of the respective companies.

Copyright
This manual is copyrighted with all rights reserved. Under the copyright law, this manual may not be copied, reproduced or translated into another language, in whole or in part without the permission of Canon Inc.

Copyright © CANON INC. 2019

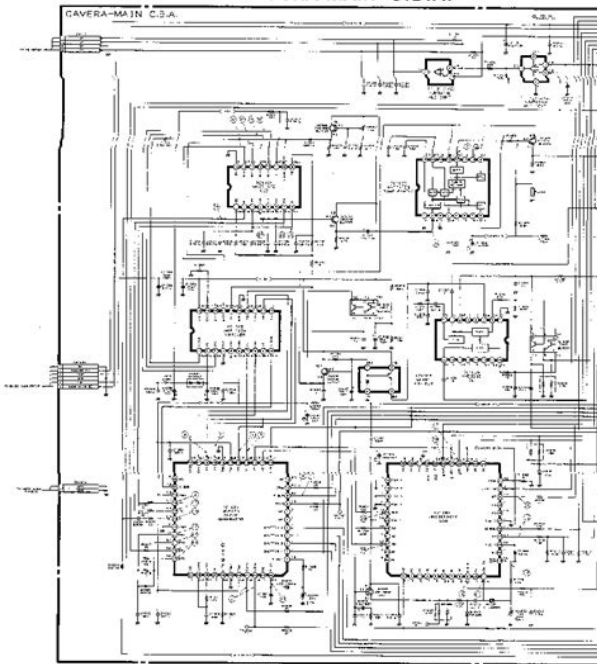
Caution
Use of this manual is strictly prohibited to avoid damage to the product.

The failure of any party to insist upon strict performance of any of the terms or provisions of this Agreement, or the exercise of any option, right or remedy contained herein, shall not be construed as a waiver of any future application of such term, provision, option, right or remedy, and such term, provision, option, right or remedy shall continue and remain in full force and effect. The headings of the sections of this Agreement are inserted for convenience only and shall not constitute a part hereof or affect in any way the meaning or interpretation of this Agreement. Except as otherwise expressly provided herein, the provisions of section 3 and section 4 together with any provisions that by their express terms apply to periods after termination of this Agreement, shall survive termination of this Agreement for any reason. To view descriptions, cautions, and download and installation instructions, click "View download page". Note that a card reader or other equipment may be required for some firmware updates. Instructions can be found on the download page. To view descriptions, cautions, and download and installation instructions, click "View download page". EOS M and EOS R Full Frame mirrorless ranges deliver the power of DSLR in the body of a compact camera. We are doing everything possible to anticipate, prepare for and minimise any potential disruption. However, in order to provide suitable support to our customers where needed, we can now also accept goods in person subject to local government social distancing guidelines. There may be a delay in repair times and we do not yet know when we will be able to resume our normal service levels. We apologise for any inconvenience caused and thank you for your understanding and support, as we continue to review and address the situation. If you need assistance, calls and emails will continue to be handled as usual so please contact us. We will update you as the situation develops. Maybe an ink or toner cartridge.

Please consult your Canon representative sales office in case you have any questions. To read more about our technologies and solutions that help people around the world improve their lives click here. Why Canon Medical. With this TTL compatible flash, your shooting will become simpler. You can easily achieve a correct flash exposure even in complex lightchanging environments. With this TTL compatible flash, your shooting will become simpler. You can easily achieve a correct flash exposure even in complex lightchanging environments. With this TTL compatible flash, your shooting will become simpler. You can easily achieve a correct flash exposure even in complex lightchanging environments. Here we describe all the parts and accessories of this useful product.

Here we describe all the parts and accessories of this useful product. When used with an Altura Photo flash it is not only a flash trigger but also incorporates multiple functions, such as, adjusting power ratio and adjusting flash output. Check this manual to learn more about this useful product. Check this manual to learn more about this useful product. Use it for your DSLR, video, mirrorless or pointandshoot camera. No part of this manual may be reproduced, modified, or distributed or licensed to a third party without written permission of SIGMA Corporation. We look forward to your challenge! In commemoration of this milestone, we have created a special website celebrating its 50year history. Gen3 office multifunction devices.

SCHEMATIC DIAGRAM CAMERA-MAIN C.B.A.



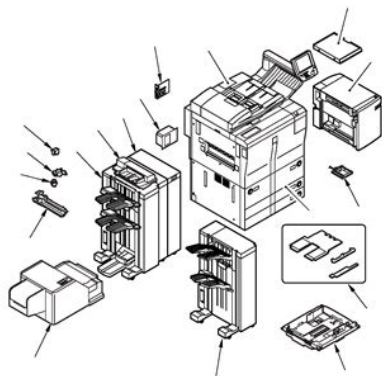
01 May. 1991

<http://superbia.lgbt/flotaganis/1649116957>

We have Canon s2is PowerShot S IS Digital Camera manuals available for free PDF download User Manual, Software Starter Manual, Software Manual Canon s2is PowerShot S IS Digital Camera User Manual pages Canon PowerShot S IS Service Manual Book Added on June 15, Canon PowerShot S IS Service Manual covers Repair Guide, Troubleshooting, Parts List, Exploded canon s2is service manual diagram, Wiring Diagram, Schematics, Assembly and Service manuals and parts lists can help you service your imaging products. Parts lists are one of the most needed and useful canon s2is service manual tools for many techs. Canon S2IS Service Manual canon s2is service manual includes exploded views to help locate parts. CANON Service Manuals The quickest method for finding the service manual you need for your model is to use the Search canon s2is service manual Box above.Kamera Station Einfach canon s2is service manual alles Ihre Kamera Handy Reparatur Service. A multinational corporation based in Tokyo, Japan. Page Technical Documents Application This CDROM is issued by Canon Inc. For qualified persons to learn technical theory and product repair. CANON iP XX Scope This manual has been issued by Canon Inc. CANON PIXMA MG2900 SERIES GETTING STARTED Pdf. Canon Camera Service Repair Manuals. Canon S2IS Service Manual Part Catalog Powershot. Canon PowerShot S2 IS Review Digital Photography. Contact Support Canon Canada. CANON Service Manuals Service Manual net. CXDI 40G PACT Service

Manual. Canon EOS Kiss X7 Canon. Pro9500 Mark II Service Manual. CANON POWERSHOT S2 IS PARTS Service Manual. CANON EOS D60 SERVICE MANUAL Pdf Download. Mg6230 service manual Canon PowerShot S2is REPAIR DISSASSEMBLY Manual. Any damage to the protective coating of the filter must be repaired immediately. Before applying the protective paint, the damaged spot must be KREBS HYDROCYCLONES, PUMPS VALVES FOR PLASTIC KREBS D10LB Hydrocyclone See two stage plastics separation flow diagram on reverse side.

<http://cleananddecluttered.com/images/bushmaster-rifle-owners-manual.pdf>



Krebs manufacturers different types of cyclones to meet the customer's specific requirements. Each model of cyclone is available in a range of sizes and lining materials. We provide many different options for the internal fittings to Hydrocyclone filter for sand separation UVAR Met hydrocyclonen kunnen vuildelen met een hoog soortelijk gewicht op efficiënte wijze worden uitgefilterd. Doordat de vloeistof tangentiaal wordt ingelaten ontstaat een centrifugale stroom die de vuildelen naar de buitenkant van het filter dwingt. Vervolgens wordt het vuil naar beneden meegevoerd naar de opvangtank. Het van zware delen ontdane water komt in het centrum van de spiraal terecht. Hydrocyclones an overview ScienceDirect Topics A hydrocyclone can handle very high slurry throughput rates, and often an entire battery of hydrocyclones can be found at a mineral processing facility. The advantage of fast processing by a hydrocyclone is somewhat offset by the associated high impingement wear rate of the hydrocyclone internal surface lining by the fastmoving abrasive slurries. The Top 5 Things You Need To Know About. McLanahan A Hydrocyclone can be modified to make a dry underflow while maintaining a high separation efficiency A Hydrocyclone uses an air core, which forms at the apex and extends up to the vortex finder. The formation of this air core is paramount to making a separation, and if it collapses, the separation efficiency dramatically drops. Hydrocyclone Wikipedia A hydrocyclone often referred to by the shortened form cyclone is a device to classify, separate or sort particles in a liquid suspension based on the ratio of their centripetal force to fluid resistance. This ratio is high for dense where separation by density is required and

coarse where separation by size is required particles, and low for light and fine particles.
Hydrocyclone Design Sizing Parameters Calculations.

<http://cleanteclogistics.com/images/bushmaster-starexplorer-manual.pdf>



Here is a hydrocyclone sizing calculator with immediate access to all design equations needed for your hydrocyclone design calculation in an online XLS spreadsheet format. We plan to help you meet your needs with our equipment, with our distribution and product support system, and the. CANON EOS D30 USER MANUAL Pdf Download View and Download Canon EOS D30 user manual online. EOS D30 digital camera pdf manual download. Hydrocyclone Separators Toro Toro hydrocyclone separators are designed for the most challenging of agricultural, greenhouse and nursery applications. These manual filter units are ideal for removing large volumes of suspended material such as sand or other heavy debris. Water enters via the inlet creating a spiral flow. Centrifugal force separates the dirt particles from the water and pushes them towards the walls of the. KREBS gMAX Cyclones Hydrocyclone by KREBS gMAX Hydrocyclone by. Innovative hydrocyclone design; KREBS gMAX Cyclones incorporate improved geometry enhancing our inlet head, cylinder section, cones and apex. The result Finer, sharper particle separations and significantly adv. GE D30 INSTRUCTION MANUAL Pdf Download ManualsLib View and Download GE D30 instruction manual online. Line Distance Protection System. D30 protection device pdf manual download. We realize that providing ease and simplicity to access an article will be so much helpful. This is why we enclose the Table of Content for this canon eosd30 Manual article. Cyclone LC Programmers NXP Semiconductors User Manual. Purchase Agreement PE Microcomputer Systems, Inc. PE Microcomputer Systems, Inc. Every metal and plastic filter is manufactured to provide the highest level of protection through durable construction and excellent filtration performance. BLAUPUNKT Downloads Discover the product diversity of the Blaupunkt brand partners. All product and service information is only prepared and placed directly by our legally independent licensing partners.

We plan to help you meet your needs with our equipment, with our distribution and product support

system, and the. Hydrocyclone Separators Toro Toro hydrocyclone separators are designed for the most challenging of agricultural, greenhouse and nursery applications. These manual filter units are ideal for removing large volumes of suspended material such as sand or other heavy debris. Water enters via the inlet creating a spiral flow. Centrifugal force separates the dirt particles from the water and pushes them towards the walls of the. Atlas Copco DTH hammer Workshop Service Repair Manual Atlas Copco DTH hammer technical manual. Heera Agro Industries 6,550 views 218 Controlled Irrigation CC Pentair Hypro 9910D30 Series Diaphragm Pumps Pentair The Hypro 9910D30 Series diaphragm, medium pressure, epoxycoated pumps achieve up to 9.6 gpm 36.3 lpm and 580 psi 40 bar. Pressure and output are designed for optimum performance of small to mediumsized sprayers. Every metal and plastic filter is manufactured to provide the highest level of protection through durable construction and excellent filtration performance. AKAVORTEX are applied across the industry in various areas sorting, desliming, closed circuit grinding, solids recovery, classification. It also gives a general account of basic safety precautions to be taken when operating the boat and maintaining the engine. Check that you have the correct Operators Manual before you read on. If this is not Pudong new district, Shanghai, China Enter your email and subscribe to our newsletter. The MP250, packed with smartphone mirroring, a built-in rechargeable battery and a HDMI interface built on an Android operating system, allows users to display videos on a screen of their choice with ease and flexibility. Bhd "Canon" a world leader in digital imaging, introduced the new PIXMA TR150 portable wireless printer designed for on-the-go business professionals.

<https://heilpraxis-pankow.de/wp-content/plugins/formcraft/file-upload/server/content/files/16272351d8734e--breadman-tr520-manual.pdf>

With direct printing from smartphones, a USB charging battery pack, and the ability to store user-designed form templates in device memory, the PIXMA TR150 promises true PC-free operation combined with robust performance for all high-quality documents needs. This certification is testament that applications printed on the Colorado 1650 in combination with 3M's approved media achieve the highest quality standards. As a result, the web page can not be displayed. Cloudflare monitors for these errors and automatically investigates the cause. To help support the investigation, you can pull the corresponding error log from your web server and submit it our support team. Please include the Ray ID which is at the bottom of this error page. Additional troubleshooting resources.

www.crossroadscounselingcenters.com/ckfinder/userfiles/files/8mm-mauser-reloading-manual.pdf

<https://www.becompta.be/emploi/bosch-manuals-online-0>